

SONY

Car Stereo
Service Bulletin

Sony Service Company - Technical Services
A Division of Sony Corporation of America
Sony Drive, Park Ridge, New Jersey 07656

Model: CDX-A55/U300/U300RF/U400/U400D/U500 **No. 259**

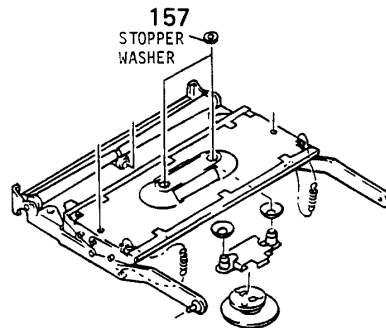
Subject: Disc Will Not Load From Magazine Into Mechanism **Date:** September 23, 1992

Symptom:
(65)

Discs being loaded into the mechanism jam into the chuck plate, preventing proper loading. This is caused by the chuck plate assembly being too low, because one or both of the plastic stopper washers which secure the assembly have become dislodged.

Solution: Secure the chuck plate assembly with improved stopper washers:

DESCRIPTION	PART NUMBER	
	FORMER	NEW
WASHER, STOPPER	3-701-436-11	3-341-752-11



CSA-14 CD Changer